

2D or 3D?  
Yes.

# Autodesk<sup>®</sup> Inventor<sup>™</sup>

Suite 2008



Autodesk<sup>®</sup>

# Add the Power of 3D with the Company That Brought You 2D

Autodesk® Inventor™ software products are the best choice for AutoCAD® software users who want to add the power of 3D without compromising investments in 2D design data and AutoCAD technical expertise. With innovative approaches to accelerate and simplify the concept-to-manufacturing process, it's no wonder the Inventor product line has outsold all competitors for the sixth consecutive year.

## Facing these issues?

- Supporting both 2D and 3D design processes is necessary for productivity.
- Moving to 3D could result in a loss of AutoCAD expertise and design data.
- Rapid creation of production-ready drawings is required for downstream users.
- Designers are unable to easily find and reuse designs.
- Products are experiencing stress-related field failures.
- Piping and wiring designs take too long to develop.
- Designers need to spend more time solving design problems and less time solving geometry modeling problems

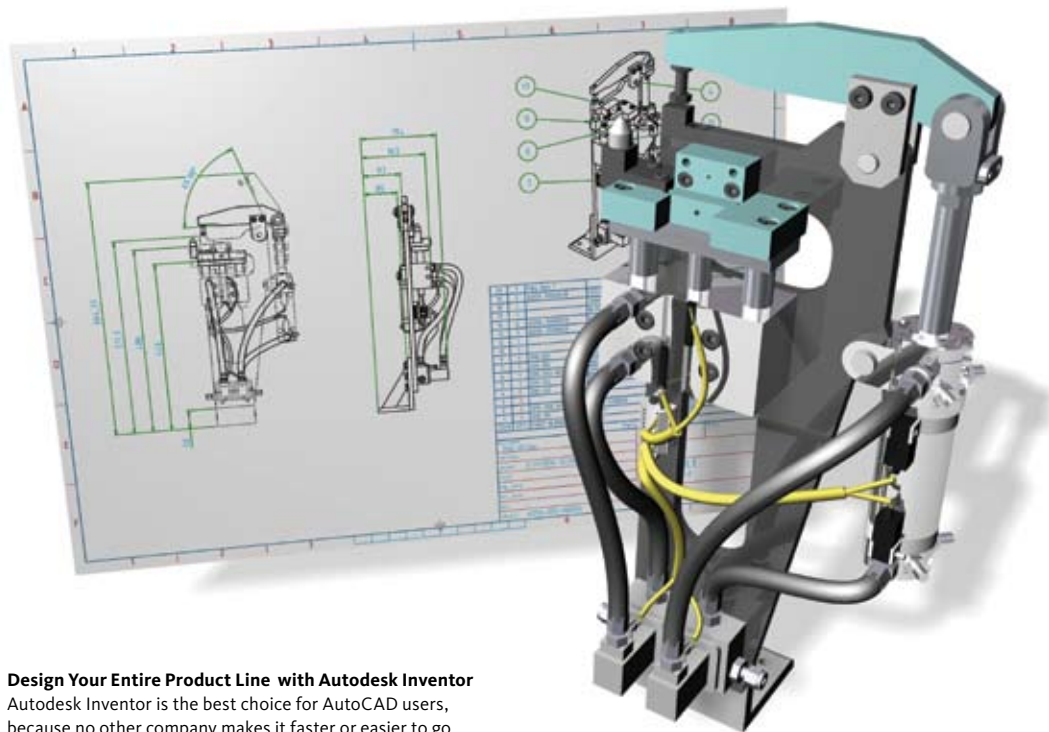
Discover why Autodesk Inventor Suite is the best choice for AutoCAD users.



Inventor gives designers the freedom to integrate existing 2D designs into their 3D design environment, making it easy to reuse and share both AutoCAD DWG™ files and 3D design data with other Autodesk manufacturing applications and their users. With different product configurations that offer specific levels of functionality, Autodesk Inventor is the best choice for AutoCAD users in the manufacturing space.

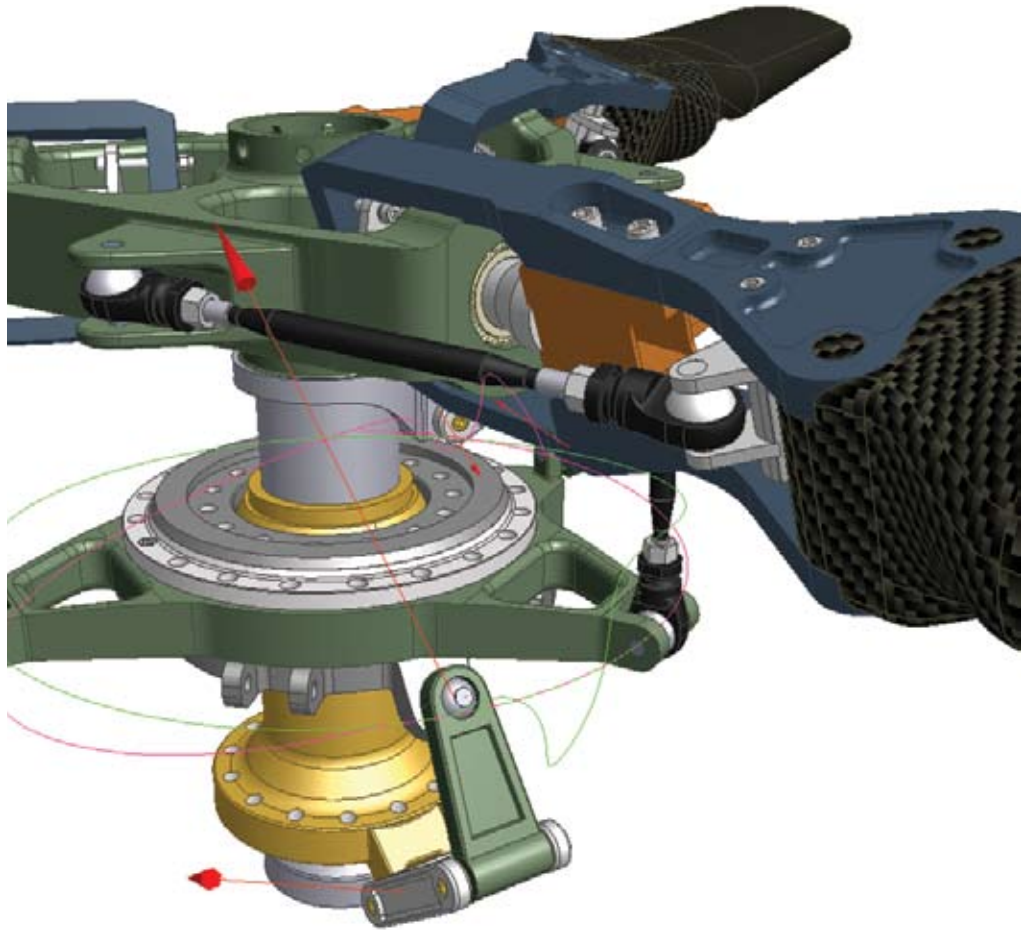
## The Right Tools for Your Design Process

As the creators of AutoCAD software, Autodesk understands your design process and created Inventor to make the process of adding 3D as easy as possible. No company is more focused than Autodesk on helping designers create and bring better products to market faster at less cost.



## Design Your Entire Product Line with Autodesk Inventor

Autodesk Inventor is the best choice for AutoCAD users, because no other company makes it faster or easier to go from concept to production with the power of integrated 2D and 3D design solutions.

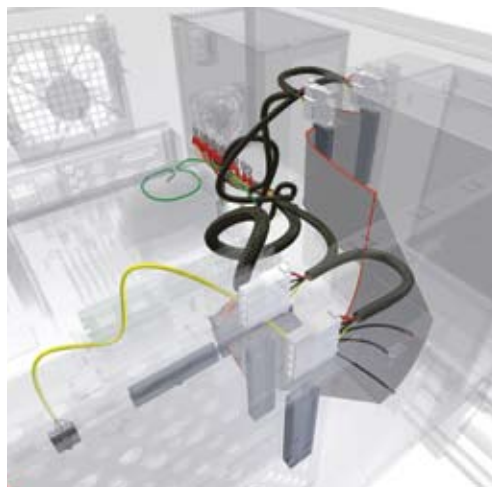


### Specialized Tools for Your Design Needs

The Autodesk Inventor product line provides a comprehensive and integrated set of design tools for 3D design and documentation, creating routed systems, and validating designs. Product bundles in the Inventor product line not only include data management software and AutoCAD® Mechanical software for 2D drawing and detailing, but also deliver enhanced 3D productivity while preserving your company's 2D engineering designs through true DWG interoperability. It provides access to intelligent engineering content and offers the fastest way to generate production-ready drawings to help designers quickly go from concept to production.

Save time and reduce prototyping costs with specialized tools that help engineers create and validate routed systems, including tube, pipe, or wire harness designs. Autodesk® Inventor™ Professional software provides the tools to create complete products, including complex routed systems designs, while automatically creating accurate bills of materials (BOMs) and complete manufacturing documentation.

Validate designs before they are built. With Autodesk Inventor Professional, engineers can simulate the dynamic behavior of a design throughout its full operating cycle and accurately predict operating loads and accelerations. In addition, the integrated Finite Element Analysis (FEA) tool enables engineers to analyze designs and avoid stress-related field failures.



## Functional Design for the Manufacturing Market

With a workflow driven by functional design, Inventor turns the design process into a competitive advantage by producing advanced 3D digital prototypes that enable designers to interactively test, simulate, and share designs in today's extended engineering environment—before they reach production. Inventor lets engineers focus on the functional requirements of a design to drive the creation of 3D models. With innovative functionality that allows designers to spend time designing rather than solving geometry modeling problems, Autodesk Inventor is the right choice for your company's current and future design software needs.

## Autodesk Manufacturing

Never before have design applications and data management tools come together to simplify the way manufacturers design products and drive them through the manufacturing process. Autodesk provides a complete, interoperable line of industry-leading software integrated with a worldwide network of services and partners. Gain access to technical expertise for implementation, and utilize training and support programs direct from Autodesk to help use your design and data management software more effectively. Software maintenance programs allow you to stay up-to-date with the latest product releases and upgrades for your software. Designed to be deployed incrementally for minimal business disruption, Autodesk tools for manufacturing provide the most effective way to stay ahead of the competition and achieve maximum return on your software investment.

### Learn More or Purchase

Discover why Autodesk Inventor is the best choice for manufacturing companies. For more information, visit [www.autodesk.com/inventor](http://www.autodesk.com/inventor).

For more information on extending the power of your design technology, visit [www.autodesk.com/subscription](http://www.autodesk.com/subscription).

For more information on making the most of your software investment, visit [www.autodesk.com/consulting](http://www.autodesk.com/consulting).

Purchase Autodesk Inventor software through your Autodesk Authorized Reseller. To locate the reseller nearest you, visit [www.autodesk.com/reseller](http://www.autodesk.com/reseller).

Cover rendering courtesy of Kone, Inc.

Autodesk, AutoCAD, Autodesk Inventor, DWG, and Inventor are registered trademarks or trademarks of Autodesk, Inc., in the USA and/or other countries. All other brand names, product names, or trademarks belong to their respective holders. Autodesk reserves the right to alter product offerings and specifications at any time without notice, and is not responsible for typographical or graphical errors that may appear in this document. © 2007 Autodesk, Inc. All rights reserved. 00000000000117480